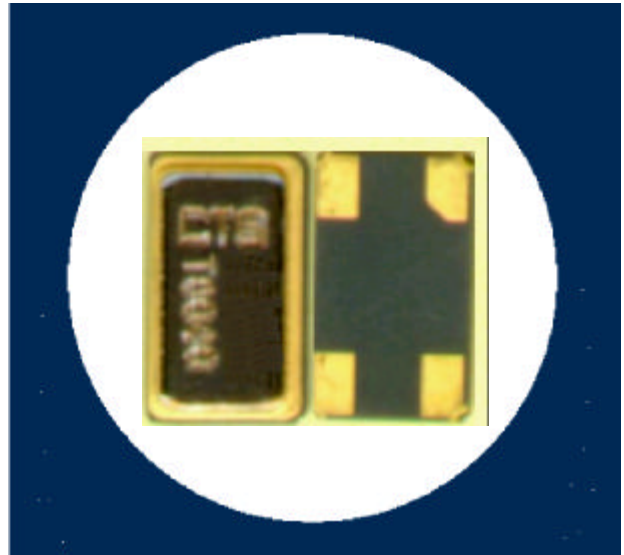


Features:

- Stable frequency over temperature and drive level
- Low Profile Seam Weld Package
- Optional machine readable crystal temperature characteristics

Description and Applications:

Surface mount 3.5x6mm reference crystal for use in GSM handsets, 2-way radios, pagers, and other portable electronics requiring a stable frequency source.



Electrical Specifications:

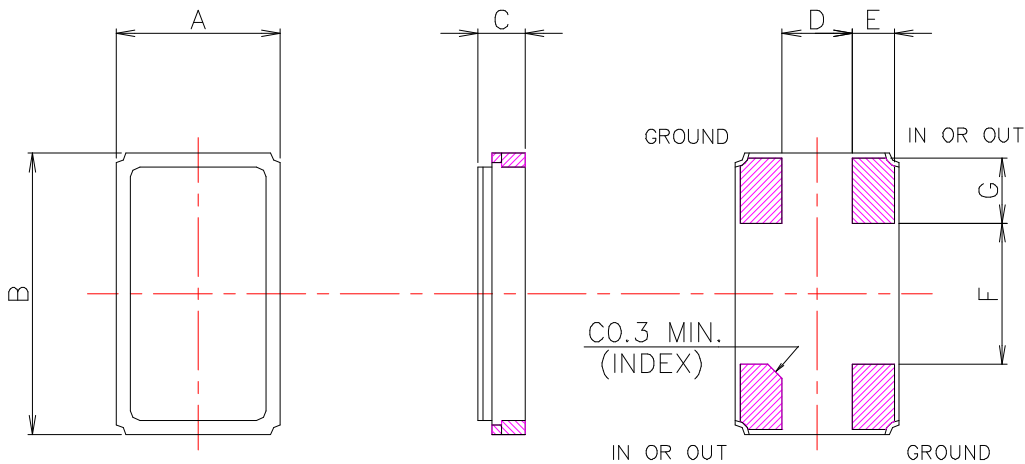
ATXN6040A	Specification
Nominal Frequency	26.0 Mhz
Mode of Vibration	Fundamental
Storage Temperature Range	-40 C to 85 C
Frequency Stability over Temperature	± 11 PPM (-30 C to 85C)
Frequency perturbation	Max. <0.28PPM/degree C
Frequency Make Tolerance	± 10 PPM @25 C +/- 3°C
Resonance Resistance	35Ω Max.
Drive Level	100 μ W Max.
Load Capacitance	9.5 pf
Shunt Capacitance	4.0 pf Max.
Insulation Resistance	500 MΩ Min./DC 100V
Aging	+/-1PPM/Yr @25C
Marking	Laser marking, print or machine readable

Crystal

Post Environmental Performance:

<p>Mechanical Shock: @ a half sine pulse shock of 0.3 milliseconds duration and a peak level of 8700 g's</p>	<p>$\Delta F_s < +/- 2.0 \text{ PPM}$ $\Delta R_s < +/- 3 \Omega \text{ or } 10\%$</p>
<p>Vibration: Per 2 x EIA RS-152-B</p>	<p>$\Delta F_s < +/- 2.0 \text{ PPM}$ $\Delta R_s < +/- 3 \Omega \text{ or } 10\%$</p>
<p>Thermal Shock: Air to air @ -40°C to 85°C, 30 min. at each temperature with less than 20 sec. transition time for 32 cycles. Allow crystals to stabilize a minimum of 4 hours prior to re-test.</p>	<p>$\Delta F_s < +/- 2.0 \text{ PPM}$ $\Delta R_s < +/- 3 \Omega \text{ or } 10\%$</p>

Mechanical Dimensions (mm):



ITEM UNIT	A	B	C	D	E	F	G
M/M	3.50 ±0.13	6.00 ±0.13	1.00 ±0.16	1.50 ±0.13	0.9 REF.	3.00 ±0.13	1.4 REF.

THIS DATA SHEET IS NOT AN OFFER FOR SALE AND SHALL NOT OBLIGATE CTS TO SELL THE PRODUCTS DESCRIBED HEREIN OR ANY OTHER PRODUCTS. CTS MAY, IN ITS SOLE DISCRETION, MODIFY OR DISCONTINUE THE SALE OF ITS PRODUCTS AT ANY TIME WITHOUT NOTICE. CTS MAKES NO WARRANTY, INCLUDING WARRANTIES OF MERCHANTABILITY OR FITNESS FOR A PARTICULAR PURPOSE, WITH RESPECT TO THE PRODUCTS REFERENCED OR INFORMATION PROVIDED HEREIN.

CTS® is a registered trademark of CTS Corporation.